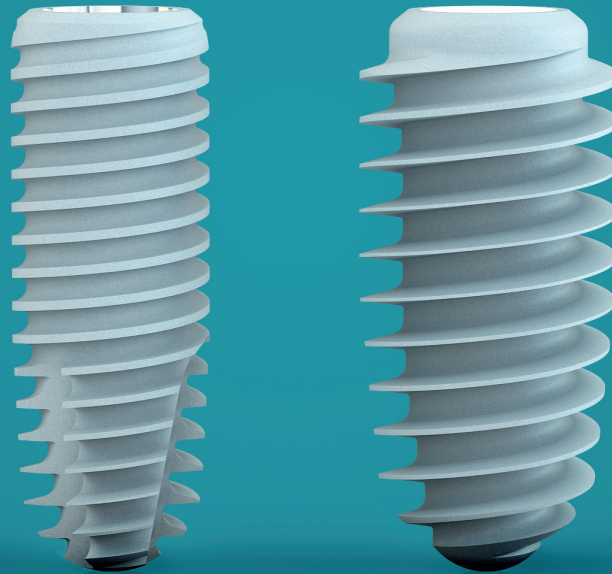


Kontakt™ S / S+

Effectiveness and performance
for an optimal result

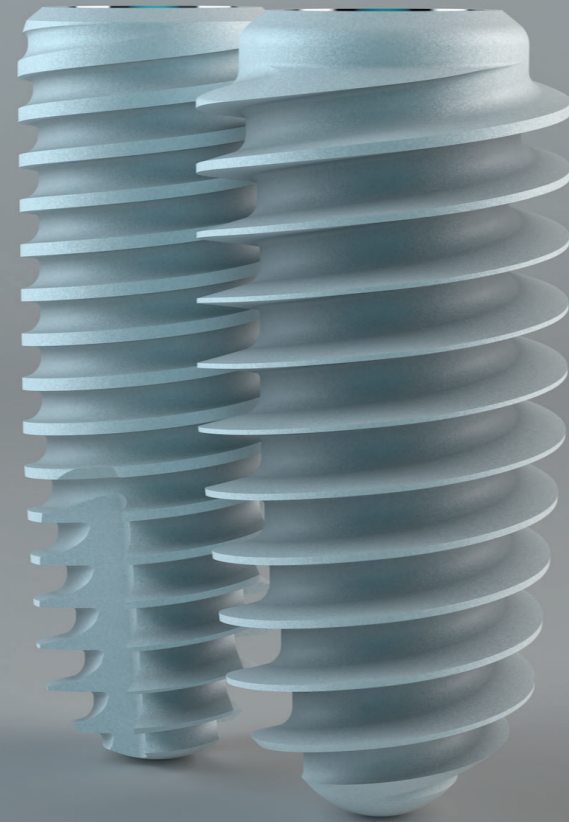
A solution adapted
to each clinical case



BIOTECH DENTAL

THE STRENGTH OF A RICH CLINICAL HERITAGE

Inspired by the philosophy and success of the iconic Kontakt™ implant, the **Kontakt™ S** and **Kontakt™ S+** implants have the same features and benefits that have built its renown.



✓ Optimal connection

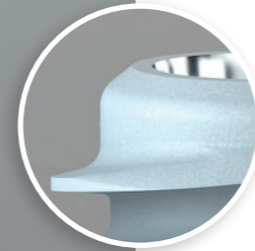
> Morse taper connection (10°)

Allowing a better seal against bacteria and elimination of micro-movements between the implant and the abutment. The mechanical resistance of the implant-abutment connection is reinforced.

> STSystem® indexing

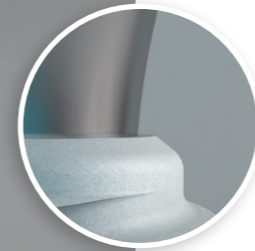
Patented hexalobular indexing with six positions

Indexing with six lobes in the implant and three lobes on the abutment allows a reliable and an intuitive insertion of prosthetic components.



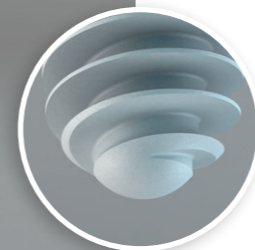
✓ Narrowed, chamfered and micro-structured implant neck

The narrowing neck reduces bone compression of the cortical bone. The micro-structured chamfer promotes the retention of blood coagulum which is necessary for bone reconstruction.



✓ Platform switching

Platform switching, in synergy with a stable and bacteria-proof morse taper connection, is an important factor concerning the tissue stability. The aim is to limit the occurrence of peri-implantitis.



✓ Atraumatic spherical apex

Protects the anatomical structure during surgery and allows a less invasive osteotomy.

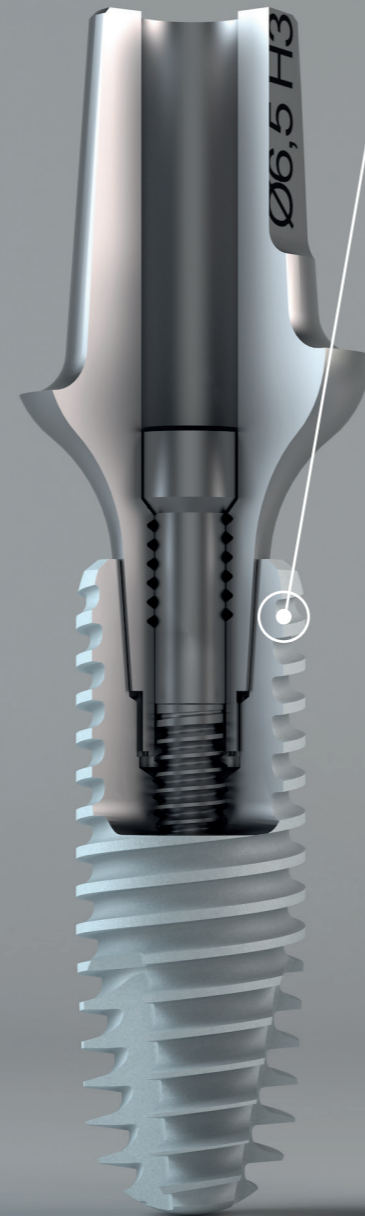
2

CHOOSE THE RIGHT TREATMENT FOR YOUR PATIENTS

Choose the best implant solution according to the clinical case.

THE IMPLANTS KONTACT™ S AND KONTACT™ S+ ARE DESIGNED:

In pure grade 4 titanium (T60), their sandblasted and etched surface has been studied to optimise wettability and promote osseointegration.

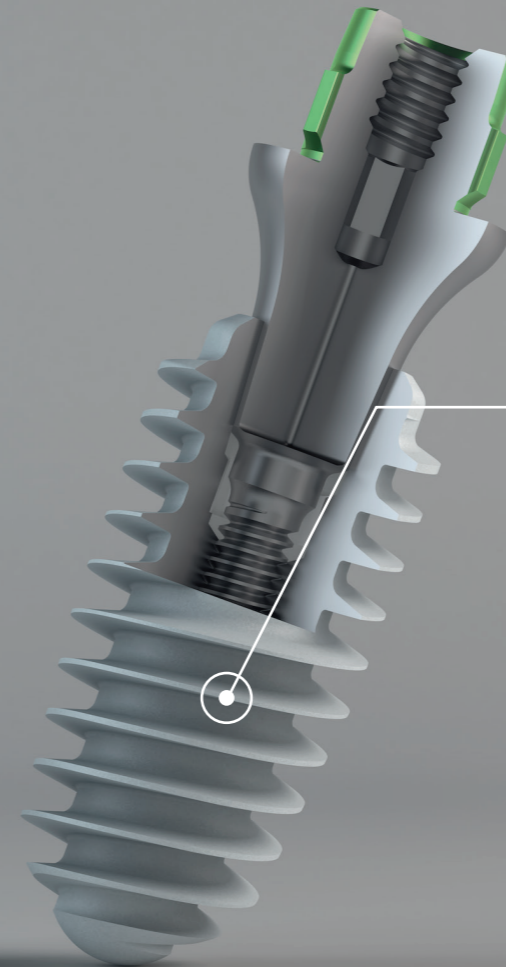


Kontakt™ S

The profile of the Kontakt™ S implant and its softened thread allow a **more progressive anchoring into the bone.**

Its spiral thread **reduces the insertion effort (torque).**

The Kontakt™ S implant is particularly indicated for cases of **high-density bone.**



Kontakt™ S+

The Kontakt™ S+ implant has been specially developed for **immediate extraction placement, rapid placement after extraction,** and cases of placement in **low-density bone.**

Thanks to the **large threading wings** which **increases the developed surface area,** the Kontakt™ S+ allows more effective bone condensation in **low-density bone** and **increase the implant primary stability.**

3

A SIMPLE, PRACTICAL AND EFFICIENT KONTACT™ SYSTEM



A SINGLE KIT FOR ALL KONTACT™ IMPLANTS

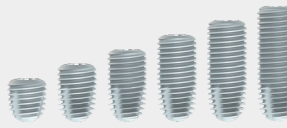
- ✓ **Compact** for optimal storage.
- ✓ **Practical** with fast and easy opening for a fast and easy instrument access.
- ✓ **Readable** thanks to colour markings for a quick identification of the instruments.
- ✓ **Fully disassemblable** for a complete autoclavable decontamination.



A WIDE RANGE OF PROSTHETIC SOLUTIONS

- ✓ **Single and multi-unit rehabilitation:** cement-retained, screw-retained, telescopic.
- ✓ **Prosthesis stabilization** with a line of Locator® and IsoPost® abutments.
- ✓ **Custom-made abutments** with a range of Ti-Bases and Scanbodies as well as our specialized CAD-CAM machining center.

KONTACT™ S IMPLANTS RANGE

	References	Designations	Diameters	Lengths
	K3010S	Implants	Ø 3 mm	10 mm
	K3012S			12 mm
	K3014S			14 mm
	K3608S	Implants	Ø 3.6 mm	8 mm
	K3610S			10 mm
	K3612S			12 mm
	K3614S			14 mm
	K3616S*			16 mm
	K4206S	Implants	Ø 4.2 mm	6 mm
	K4208S			8 mm
	K4210S			10 mm
	K4212S			12 mm
	K4214S			14 mm
	K4216S*			16 mm
	K4806S	Implants	Ø 4.8 mm	6 mm
	K4808S			8 mm
	K4810S			10 mm
	K4812S			12 mm
	K4814S			14 mm
	K5406S	Implants	Ø 5.4 mm	6 mm
	K5408S			8 mm
	K5410S			10 mm
	K5412S			12 mm
	K5414S			14 mm

* 16 mm step drills and reamer drills are not delivered with surgical kit but available on request.

KONTACT™ S+ IMPLANTS RANGE

	References	Designations	External diameters	Body diameters	Lengths
	K4008-36S	Implants	4 mm	3.6 mm	8 mm
	K4010-36S				10 mm
	K4012-36S				12 mm
	K4508-36S	Implants	4.5 mm	3.6 mm	8 mm
	K4510-36S				10 mm
	K4512-36S				12 mm
	K4508-42S	Implants	4.5 mm	4.2 mm	8 mm
	K4510-42S				10 mm
	K4512-42S				12 mm
	K5008-42S	Implants	5 mm	4.2 mm	8 mm
	K5010-42S				10 mm
	K5012-42S				12 mm
	K5508-42S	Implants	5.5 mm	4.2 mm	8 mm
	K5510-42S				10 mm
	K5512-42S				12 mm

NOTES

NOTES



BIOTECH DENTAL

305, Allées de Craonne
13300 Salon-de-Provence - France

Tel.: +33 (0)4 90 44 60 60

Fax: +33 (0)4 90 44 60 61

CustomerCareService@biotech-dental.com

www.biotech-dental.com



AFNOR Cert. 73017

Biotech Dental - A simplified company limited by shares (S.A.S.) with a capital of €24,866,417.

Corporate and Trade Register of Salon de Provence: 795 001 304 - SIRET: 795 001 304 00018 - VAT N°: FR 31 79 500 13 04.

Kontakt™ S / Kontakt™ S+: manufactured by Biotech Dental. Class I, IIa and IIb medical devices for dental implantology. CE0459.

Surgical kit: Assembler Biotech Dental. This system is a combination of medical devices.

Carefully read the instructions in the leaflet. Images are for illustration purposes only. Do not litter.

Printed by VALLIERE - 163, Avenue du Luxembourg - ZAC des Molières - 13140 Miramas - France.