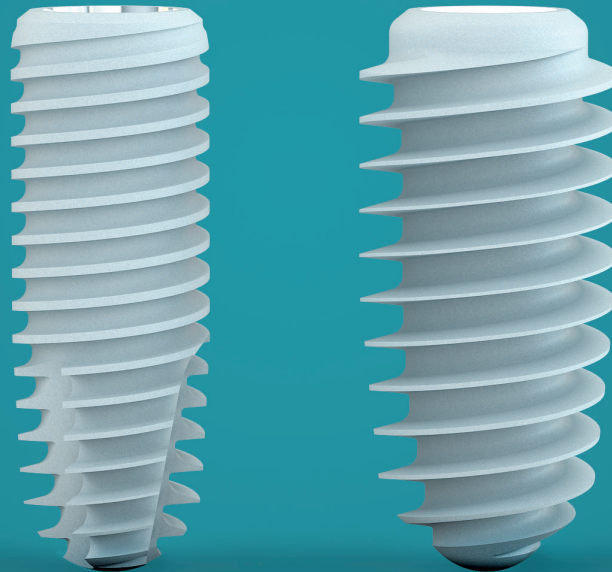


Kontakt™ S / S+

Effectiveness and performance
for an optimal result

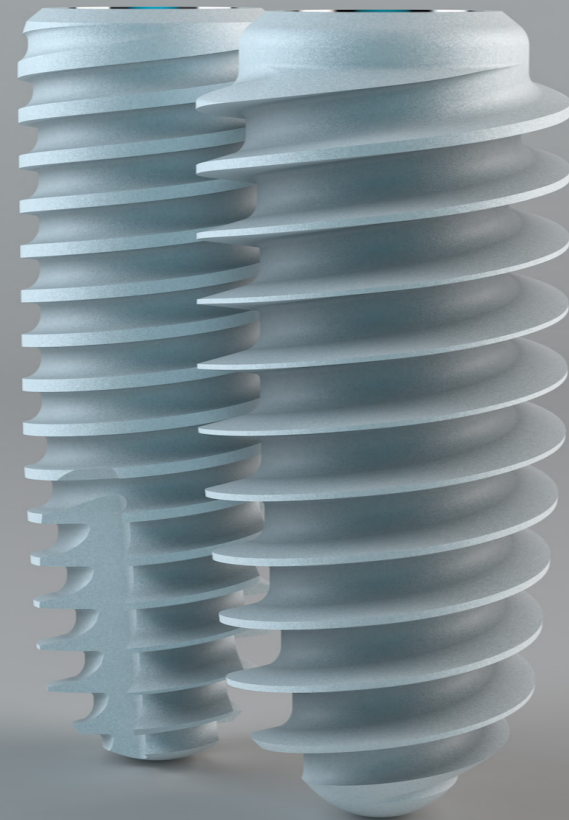
A solution adapted
to each clinical case



BIOTECH DENTAL

THE STRENGTH OF A RICH CLINICAL HERITAGE

Inspired by the philosophy and success of the iconic Kontakt™ implant, the **Kontakt™ S** and **Kontakt™ S+** implants have the same features and benefits that have built its renown.



✓ Optimal connection

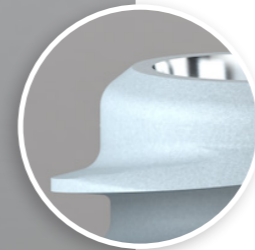
➤ Morse taper connection (10°)

Allowing a better seal against bacteria and elimination of micro-movements between the implant and the abutment. The mechanical resistance of the implant-abutment connection is reinforced.

➤ STSystem® indexing

Patented hexalobular indexing with six positions

Indexing with six lobes in the implant and three lobes on the abutment allows a reliable and an intuitive insertion of prosthetic components.



✓ Narrowed, chamfered and micro-structured implant neck

The narrowing neck reduces bone compression of the cortical bone. The micro-structured chamfer promotes the retention of blood coagulum which is necessary for bone reconstruction.



✓ Platform switching

Platform switching, in synergy with a stable and bacteria-proof morse taper connection, is an important factor concerning the tissue stability. The aim is to limit the occurrence of peri-implantitis.



✓ Atraumatic spherical apex

Protects the anatomical structure during surgery and allows a less invasive osteotomy.

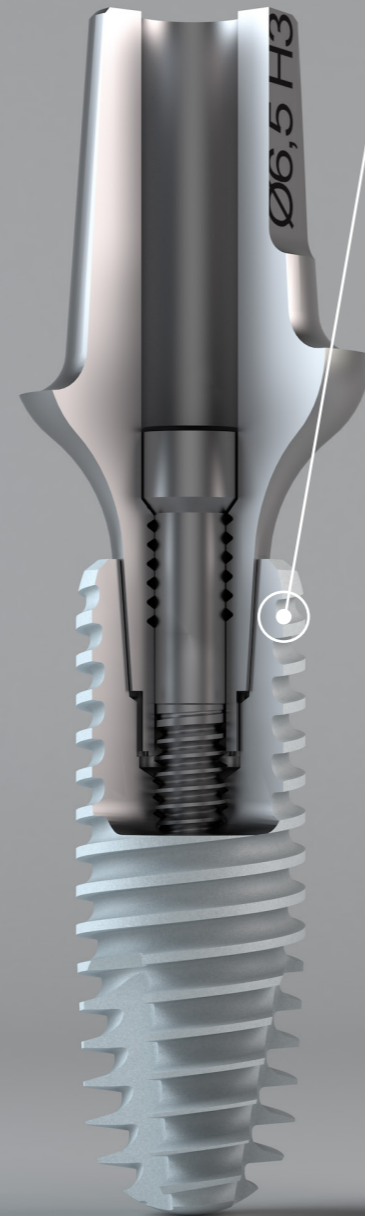
2

CHOOSE THE RIGHT TREATMENT FOR YOUR PATIENTS

Choose the best implant solution according to the clinical case.

THE IMPLANTS KONTACT™ S AND KONTACT™ S+ ARE DESIGNED:

In pure grade 4 titanium (T60), their sandblasted and etched surface has been studied to optimise wettability and promote osseointegration.

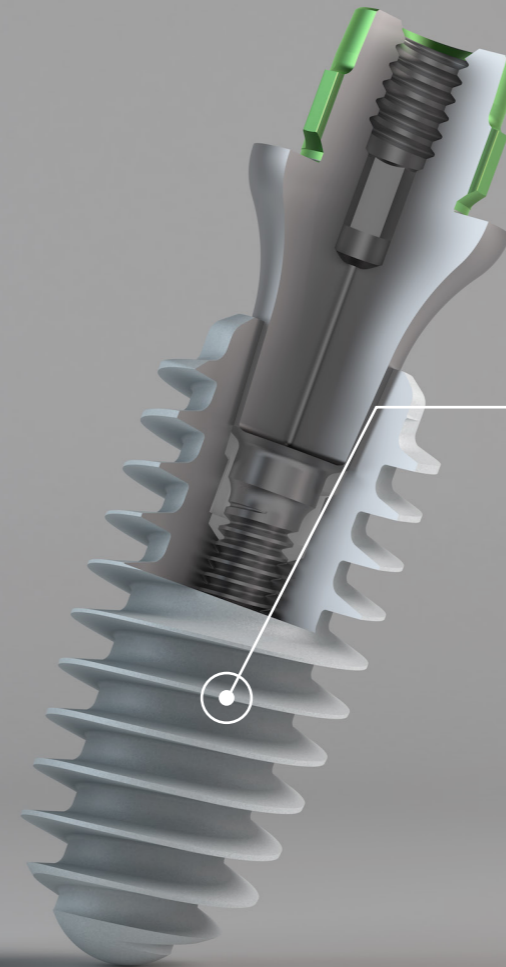


Kontakt™ S

The profile of the Kontakt™ S implant and its softened thread allow a **more progressive anchoring into the bone.**

Its spiral thread **reduces the insertion effort (torque).**

The Kontakt™ S implant is particularly indicated for cases of **high bone density.**



Kontakt™ S+

The Kontakt™ S+ implant has been specially developed for **immediate extraction placement, rapid placement after extraction,** and cases of placement in **low density bone.**

Thanks to the **large threading wings** which **increases the developed surface area,** the Kontakt™ S+ allows more effective bone condensation in **low-density bone** and **increase the implant primary stability.**

3

A SIMPLE, PRACTICAL AND EFFICIENT KONTACT™ SYSTEM



A SINGLE KIT FOR ALL KONTACT™ IMPLANTS

- ✓ **Compact** for optimal storage.
- ✓ **Practical** with fast and easy opening for a fast and easy instrument access.
- ✓ **Readable** thanks to colour markings for a quick identification of the instruments.
- ✓ **Fully disassemblable** for a complete autoclavable decontamination.



A WIDE RANGE OF PROSTHETIC SOLUTIONS

- ✓ **Single and multi-unit rehabilitation:** cement-retained, screw-retained, telescopic.
- ✓ **Prosthesis stabilization** with a line of Locator® and IsoPost abutments.
- ✓ **Custom-made abutments** with a range of Ti-Bases and Scanbodies as well as our specialized CAD-CAM machining center.

KONTACT™ S IMPLANTS RANGE

	References	Designations	Diameters	Lengths
	K3010S	Implants	Ø 3 mm	10 mm
	K3012S			12 mm
	K3014S			14 mm
	K3608S	Implants	Ø 3.6 mm	8 mm
	K3610S			10 mm
	K3612S			12 mm
	K3614S			14 mm
	K3616S*			16 mm
	K4206S	Implants	Ø 4.2 mm	6 mm
	K4208S			8 mm
	K4210S			10 mm
	K4212S			12 mm
	K4214S			14 mm
	K4216S*			16 mm
	K4806S	Implants	Ø 4.8 mm	6 mm
	K4808S			8 mm
	K4810S			10 mm
	K4812S			12 mm
	K4814S			14 mm
	K5406S	Implants	Ø 5.4 mm	6 mm
	K5408S			8 mm
	K5410S			10 mm
	K5412S			12 mm
	K5414S			14 mm

KONTACT™ S+ IMPLANTS RANGE

	References	Designations	External diameters	Body diameters	Lengths
	K4008-36S	Implants	4 mm	3.6 mm	8 mm
	K4010-36S				10 mm
	K4012-36S				12 mm
	K4508-36S	Implants	4.5 mm	3.6 mm	8 mm
	K4510-36S				10 mm
	K4512-36S				12 mm
	K4508-42S	Implants	4.5 mm	4.2 mm	8 mm
	K4510-42S				10 mm
	K4512-42S				12 mm
	K5008-42S	Implants	5 mm	4.2 mm	8 mm
	K5010-42S				10 mm
	K5012-42S				12 mm
	K5508-42S	Implants	5.5 mm	4.2 mm	8 mm
	K5510-42S				10 mm
	K5512-42S				12 mm



BIOTECH DENTAL

305, Allées de Craonne
13300 Salon-de-Provence - France

Tel.: +33 (0)4 90 44 60 60

Fax: +33 (0)4 90 44 60 61

info@biotech-dental.com

www.biotech-dental.com



AFNOR Cert. 73017

Biotech Dental - A simplified company limited by shares (S.A.S.) with a capital of €24,866,417.

Corporate and Trade Register of Salon de Provence: 795 001 304 - SIRET: 795 001 304 00018 - VAT N°: FR 31 79 500 13 04.

Kontakt S™ / Kontakt™ S+: manufactured by Biotech Dental. Class I, IIa and IIb medical devices for dental implantology. CE0459.

Carefully read the instructions in the leaflet. Images are for illustration purposes only. Do not litter.

Printed by VALLIERE - 163, Avenue du Luxembourg - ZAC des Molières - 13140 Miramas - France.